



# *SmartQ 5* MID

Internet experience anytime anywhere

Quick Start Guide

## Package goods



5V 1A Chargers



MID



USB data line

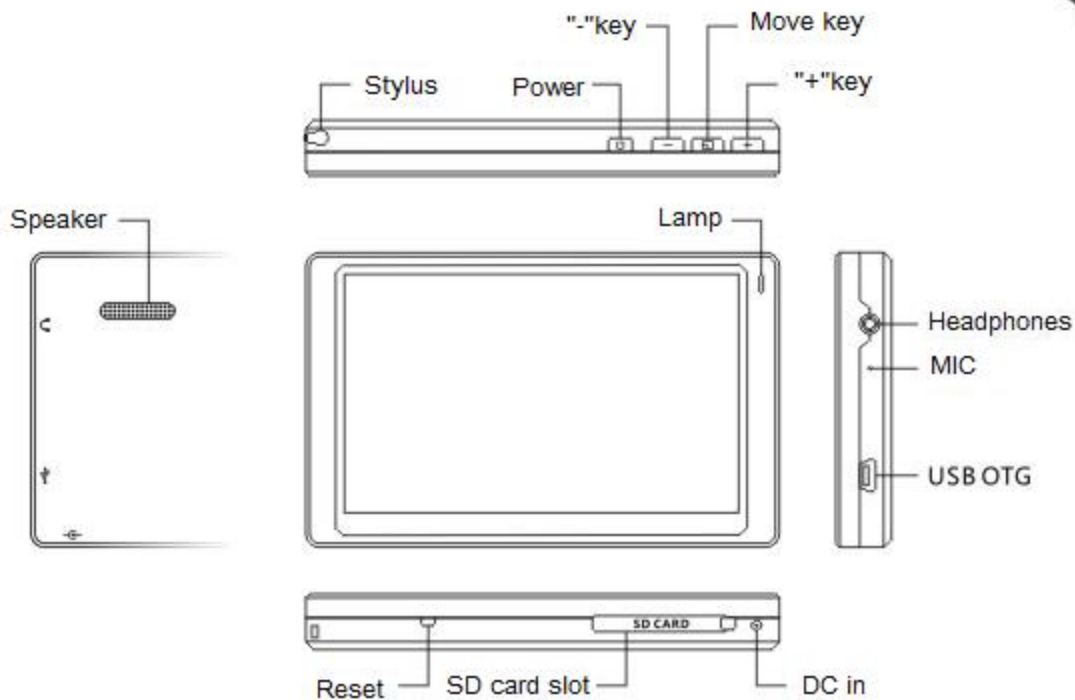


Warranty card



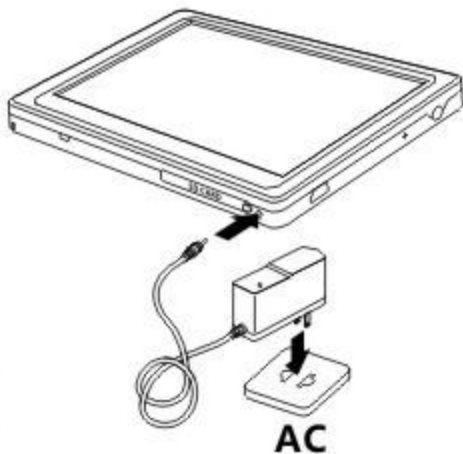
Headphones

# SmartQ 5 MID



## Charge

Please plug the charger in a 220V AC outlet, then insert the DC-plug to the SmartQ5 MID. Charging in standby mode will take about 3-4 hours, and it will take longer when being use.



## Power on/off

**Power On:** Hold on the Power Key for 2 seconds, then the Green Lamp will light on. For a moment the SmartQ5 will turn to the start interface.

**Power Off:** Click the "Start" logo and select the "Logout" menu, then you can select to Shutdown/Reboot/Suspend the SmartQ5.

## Touch-screen operation

When the arrow is not the place you touch, it would take to touch-screen calibration. Please power on the SmartQ5, press the Power button and Move key at the same time, and then follow the instructions of the touch-screen calibration.

### Move the windows

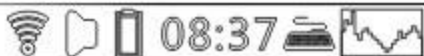
When the application software window is higher than the screen, leading to not be able to see the lower half of the contents, hold down the Move key and then drag the window up with the stylus.



## Soft keyboard input

The soft keyboard will automatically pop-up when you click on any input box. You can also click the keyboard icon to open and close the soft keyboard manually.

Click on the keyboard icon on the task bar for more than one second, the pop-up menu will appear. Select the "soft keyboard control" Settings to choose whether to automatically pop-up the soft keyboard.



## Connected WiFi network

Click the network icon on the task bar, and then click the "Refresh" button in the pop-up menu to search the wireless network. After the WiFi hotspots are found, click the "Connect" button to connect the WiFi network. Click the arrow in front of the hotspots to set up WEP/WPA password when it need.



## Using bluetooth to connect the GPRS/WCDMA network

Please refer to the web site information.



## Read and Write SD card

In the power on state, connect the SmartQ5 to the computer with USB data cable. When the computer to find the USB storage device, you can read and write in the files in the SD card.

### Using the USB devices

Select: Start-Preferences-SysSettings, click the "Close USB DEVICE" button, after click the "Open bluetooth or USB HOST" button and then quit the menu. Plug the USB devices like keyboard/mouse/storage to the USB host cable.





## Firmware upgrade

1. Copy the new firmware file to the root of the SD card.
2. Holding down the "+" button in the shutdown mode, and then connect the charger. Until a yellow LED light on when entering the firmware upgrade process.
3. The screen will show the progress of the upgrade process. When the upgrade is successful, SmartQ5 will automatically restart.

## Power management settings

Click the "light bulb" icon on the taskbar to enter the power management settings. You can adjust the screen backlight brightness, set the standby time and the auto power off time.